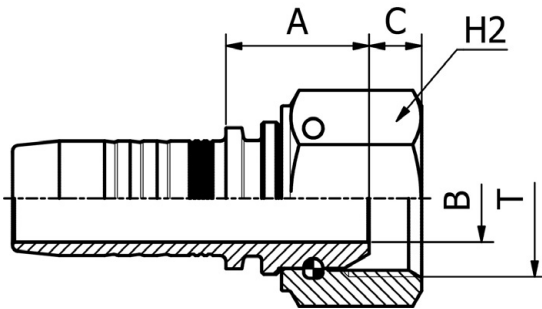


SAE STANDARD CONNECTIONS

M22812

**NPSM FEMALE 60° CONE
SAE J516/J514
(THRUST-WIRE NUT)**

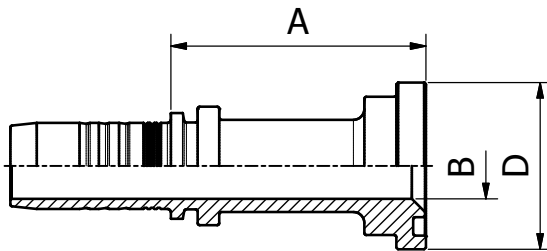


PART. REF.	HOSE BORE			Thread		DIMENSIONS mm						
	DN	Dash	inch			B	A	C	H2			
M22812-04-04	6	- 4	1/4"	1/4" - 18		4.0	17.5	4.2	19.0			
M22812-06-04	10	- 6	3/8"	1/4" - 18		4.1	18.0	4.2	19.0			
M22812-06-06	10	- 6	3/8"	3/8" - 18		7.0	21.0	6.0	22.0			
M22812-08-08	12	- 8	1/2"	1/2" - 14		9.3	23.0	6.5	27.0			
M22812-12-12	19	- 12	3/4"	3/4" - 14		15.0	24.5	9.0	32.0			
M22812-16-16	25	- 16	1"	1" - 11.5		19.8	27.5	10.5	38.0			

SAE STANDARD CONNECTIONS

M23311

**ISO/SAE CODE 61 FLANGE
SAE J516 / ISO 12151-3**



PART. REF.	HOSE BORE			FLANGE		DIMENSIONS mm						
	DN	Dash	inch			B	A	D				
M23311-08-08	12	-8	1/2"	1/2"		9.3	51.0	30.3				
M23311-08-12	12	-8	1/2"	3/4"		15.1	58.0	38.0				
M23311-10-08	16	-10	5/8"	1/2"		9.3	51.0	30.3				
M23311-10-12	16	-10	5/8"	3/4"		15.0	65.5	38.0				
M23311-10-24	16	-10	5/8"	1.1/2"		32.0	69.5	60.5				
M23311-12-12	19	-12	3/4"	3/4"		15.0	58.0	38.0				
M23311-12-16	19	-12	3/4"	1"		20.0	58.0	44.6				
M23311-12-20	19	-12	3/4"	1.1/4"		26.0	69.5	51.0				
M23311-16-12	25	-16	1"	3/4"		15.0	60.5	38.0				
M23311-16-16	25	-16	1"	1"		19.8	64.5	44.6				
M23311-16-20	25	-16	1"	1.1/4"		26.0	70.5	51.0				
M23311-20-12	31	-20	1.1/4"	3/4"		15.0	61.0	38.0				
M23311-20-16	31	-20	1.1/4"	1"		19.8	64.5	44.6				
M23311-20-20	31	-20	1.1/4"	1.1/4"		26.0	70.5	51.0				
M23311-20-24	31	-20	1.1/4"	1.1/2"		32.0	72.5	60.5				
M23311-20-32	31	-20	1.1/4"	2"		42.0	75.5	71.6				
M23311-24-24	38	-24	1.1/2"	1.1/2"		32.0	75.5	60.5				
M23311-24-32	38	-24	1.1/2"	2"		42.0	75.5	71.6				
M23311-32-32	51	-32	2"	2"		42.0	79.0	71.6				
M23311-32-40	51	-32	2"	2.1/2"		56.0	81.0	84.3				
M23311-38-40	60	-38	2.3/8"	2.1/2"		50.5	84.0	84.3				
M23311-40-32	63	-40	2.1/2"	2"		42.0	78.5	71.6				
M23311-40-40	63	-40	2.1/2"	2.1/2"		55.4	84.0	84.3				
M23311-40-48	63	-40	2.1/2"	3"		68.9	79.0	101.6				
M23311-40-56	63	-40	2.1/2"	3.1/2"		79.0	90.5	114.3				
M23311-40-64	63	-40	2.1/2"	4"		90.0	96.5	127.0				
M23311-48-48	76	-48	3"	3"		68.9	85.5	101.6				
M23311-56-56	89	-56	3.1/2"	3.1/2"		79.0	94.5	114.3				
M23311-64-64	102	-64	4"	4"		90.0	100.5	127.0				